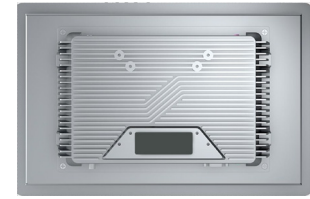
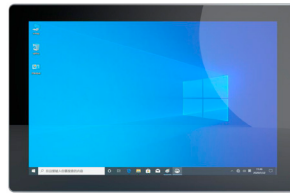


WPPC-133W3-C Series

Features

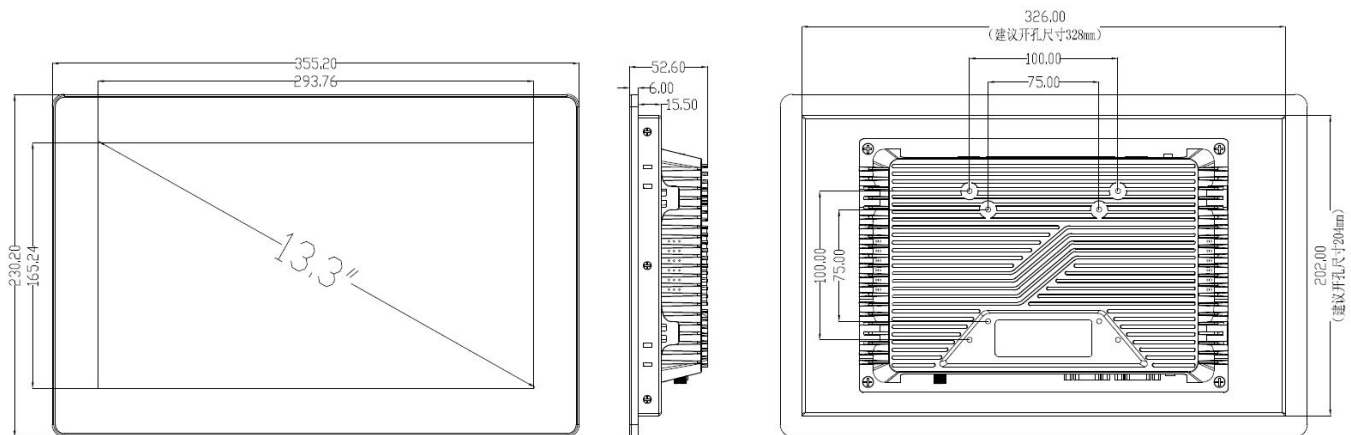
- 13.3-inch Intel J6412 Capacitive Touch Panel PC
- Pure flat and narrow bezel design
- Fanless Design
- Multi installation method optional
- Only front panel IP65 Waterproof
- Compatible CE, RoHS, FCC and CCC certificates.



Specifications

Display Parameter	Size	13.3 inch
	Display Area(mm)	170° (H)/170° (V)
	Resolution	1920x 1080(16: 9)
	Color	16.7M
	Brightness	300cd/m2
	Backlight	LED
	Life	50000hrs
Computer Parater	Touch Method	PCAP Projected 10 points capacitive touch
	CPU	Intel® Celeron® Processor J6412 ; QC, Max Speed up to 2.6GHz, 10W
	Cache	Total L2 Cache
	Memory	1*260pin DDR4/LPDDR4 upto 2400 SODDIM (Support max 8G)
	Storage	1* mSATA and 1*SATA
	Operating System	support WIN10/LINUX
	Expansion Card Slot	1*Mini-PCle
	Power Supply	DC12V 5A / AC110V-240V,50-60 Hz
	Power Consumption	7.2W (Max 26.1W)
	Dimension (mm)	355.2x230.2x52.6
	Cutout Size(mm)	326.00x204.00
	Appearance Feaure	Enclosure Material
Heat Dissipation Method		Passive cooling
Waterproof Level		Only front panel IP65
Communication Interface	2* LAN (Realtek 8111H), 2*USB 3.0, 2*USB 2.0, 1*9 WIRES RS-232 and 2*3 WIRES RS232, 2*RS-485, 1*HDMI, 1*VGA, 1*LINE_OUT, 1*MIC_IN and 1*PSON	
	4*Digital Input and 4*Digital Output, 4G and WiFi are Optional watchdog programming, Support hardware reset function (256 levels · 0~255s)	
Working Envoriment	Working Temp.	-20°C -60 °C
	Working Humidity	5%RH -95%RH

Dimension



Ordering Information

Model name	Description
WPPC-133W3-C-J6412	13.3-inch Capacitive Touch Panel PC With Intel J6412 , 2*LAN Port, 2*USB 3.0, 2*USB 2.0 , 1*9 WIRES RS-232 and 2*3 WIRES RS232, 2*RS-485, 1*HDMI, 1*LINE_OUT, 1*MIC_IN and 1*PSON
WPPC-133W3-C-J6412-B	13.3-inch Capacitive Touch Panel PC With Intel J6412 , 1*LAN Port, 2*USB 3.0, 4*USB 2.0 , 1*9 WIRES RS-232 and 2*3 WIRES RS232, 2*RS-485, 1*HDMI, 1*LINE_OUT, 1*MIC_IN and 1*PSON