

WPPC-080S1-C Series

8 inch Capacitive Touch Panel PC with Intel J4125 processor

Features

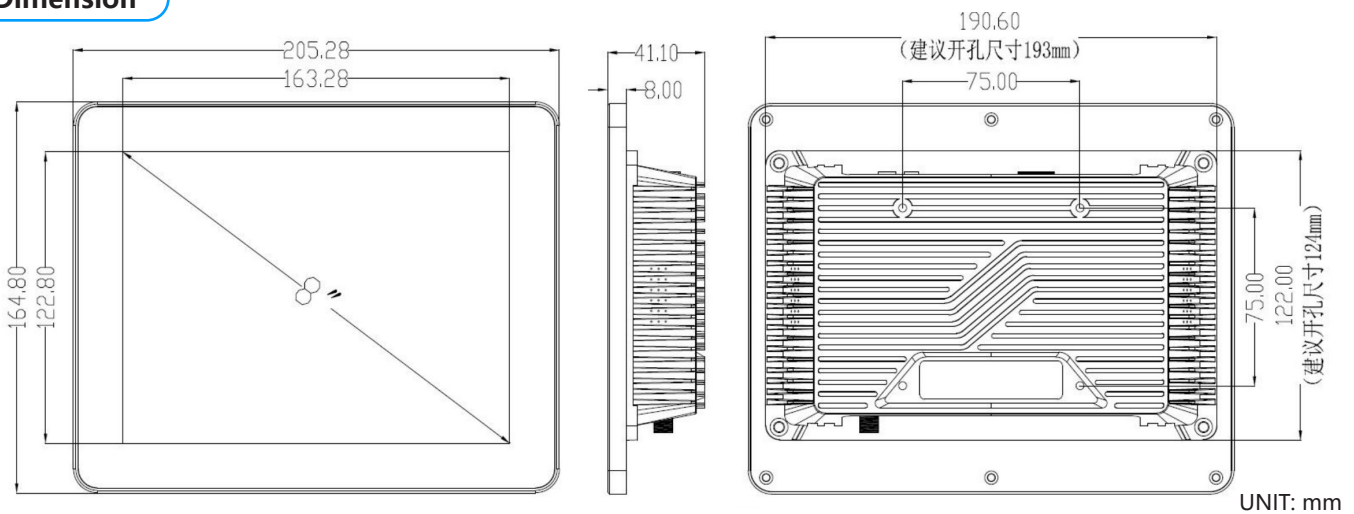
- 8-inch Intel J4125 Capacitive Touch Panel PC
- Pure flat and narrow bezel design
- Fanless aluminum alloy heat dissipation
- Capacitive Touch
- One or Two GbE LAN Ports
- Multi installation method optional
- Front panel IP65 Waterproof



Specifications

Display Parameter	Size	8-inch
	Display Area(mm)	163.28x122.80mm
	Resolution	1024x768
	Color	16.7M
	Brightness	300cd/m2
	Backlight	LED
	Life	50000hrs
	Touch Method	PCAP Projected 10 points capacitive touch
Computer Parater	CPU	Intel® Celeron® Processor J4125, Quad cores 2.0G, up to 2.70 GHz
	Cache	4M
	Memory	Optional DDR4/LPDDR4 up to 2400 MT/s , Low voltage 1.2V(Support max 8G)
	Storage	Optional 32G/128G/256G/512G/1T msata SSD are
	Operating System	WIN10/LINUX
	Expansion Card Slot	1*MSATA
	Power Supply	DC12V 5A / AC110V-240V,50-60 Hz
	Power Consumption	6W (Max 20.4W)
	Dimension (mm)	205.28x164.80x41.10mm
	Cutout Size(mm)	193.00x124.00mm
Appearance Feaure	Enclosure Material	Aluminum Alloy
	Heat Dissipation Method	Fanless Heat Dissipation
	Waterproof Level	Only front panel IP65
Communication Interface	1* LAN (Realtek 8111H), 2*USB 3.0, 2*USB 2.0, 2* 3 WIRES RS-232 and , 3*RS-485, 1*HDMI, 1*LINE_OUT, and 1*PSON	
	4G and WiFi are Optional watchdog programming, Support hardware reset function (256 levels , 0~255s)	
Working Envoriment	Working Temp.	-20°C -60 °C
	Working Humidity	5%RH -95%RH

Dimension



Ordering Information

Model name	Description
WPPC-080S1-C-J4125	7-inch Capacitive Touch Panel PC With Intel J4125 , 1*LAN Port, 2*USB 3.0, 2*USB 2.0 , 2*RS232, 3*RS-485 Ports
WPPC-080S1-C-J4125-2LAN	7-inch Capacitive Touch Panel PC With Intel J4125 , 2*LAN Port, 2*USB 3.0 , 2*RS232, 3*RS-485 Ports