

WPPC-101W3-C Series

10.1 inch Capacitive Touch Panel PC with Intel 6th Gen i5/i3 processor

Features

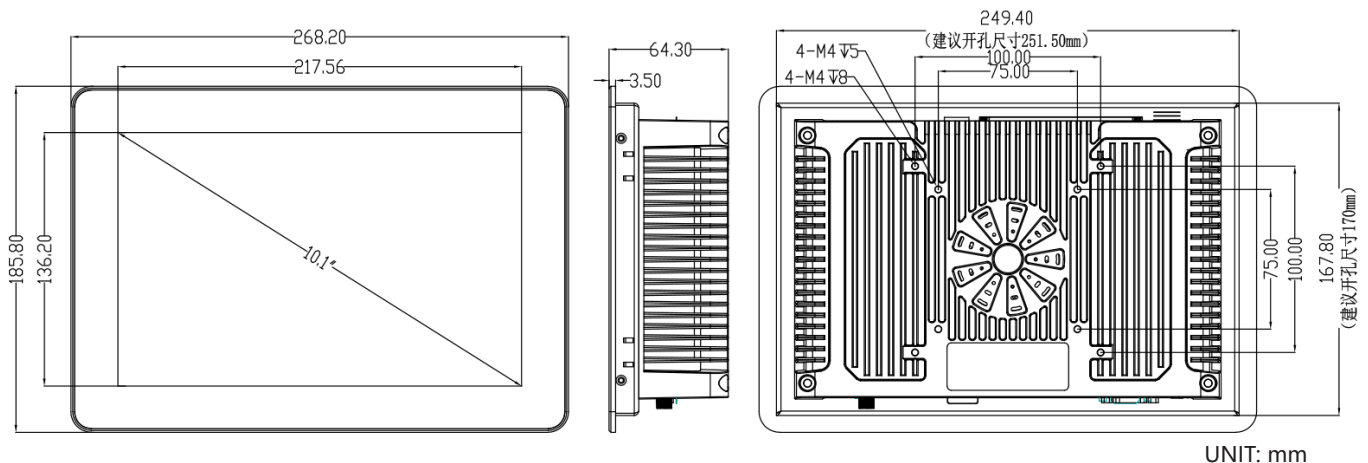
- 10.1-inch Intel 6th Gen i5/i3 Capacitive Touch Panel PC
- Pure flat and narrow bezel design
- Built-in cooling FAN
- Capacitive touch, Resistive touch and Non-touch are optional
- Multi installation method optional
- Only front panel IP65 Waterproof
- Compatible CE, RoHS, FCC certificates.



Specifications

Display Parameter	Size	10.1 inch
	Display Area(mm)	217.56x136.20
	Resolution	1280x800 (16: 10)
	Color	16.7M
	Brightness	300cd/m2
	Backlight	LED
	Life	50000hrs
	Touch Method	PCAP Projected 10 points capacitive touch ; (Resistive touch and Non-touch are optional)
Computer Parater	CPU	Intel® Core® i5/i3 6th generation processor
	Cache	3 MB Intel® Smart Cache
	Memory	SO-DIMM DDR4-2400MHz Support max 16G
	Storage	SSD (32G/128G/256G/512G/1T Msata SSD are optional)
	Operating System	support WIN10/LINUX
	Expansion Card Slot	1*PCIE 1X, 1*PCIE 4X (M.2 SSD) and 1*MSATA
	Power Supply	DC12V 5A / AC110V-240V,50-60 Hz
	Power Consumption	6.6W (Max 26.4W)
	Dimension (mm)	268.20x185.80x64.30mm
	Cutout Size(mm)	251.50x170.00mm
Appearance Feaure	Enclosure Material	Aluminum Alloy
	Heat Dissipation Method	Built-in cooling FAN
	Waterproof Level	Only front panel IP65
Communication Interface	2* LAN (Realtek 8111H), 4*USB 3.0, 2*USB 2.0, 1*9 WIRES RS-232 and 2*3 WIRES RS232, 2*RS-485,1*HDMI, 1*LINE_OUT, 1*MIC_IN and 1*PSON	
	4G and WiFi are Optional	
	watchdog programming, Support hardware reset function (256 levels · 0~255s)	
Working Envoriment	Working Temp.	-10°C -60 °C
	Working Humidity	5%RH -95%RH

Dimension



UNIT: mm

Ordering Information

Model name	Description
WPPC-101W3C-i3-6100U	10.1-inch Capacitive Touch Panel PC With Intel i3-6100U , 2*LAN Port, 2*USB 3.0, 2*USB 2.0 , 1*9 WIRES RS-232 and 2*3 WIRES RS232, 2*RS-485, 1*HDMI, 1*LINE_OUT, 1*MIC_IN and 1*PSON, System FAN
WPPC-101W3C-i5-6200U	10.1-inch Capacitive Touch Panel PC With Intel i5-6200U , 2*LAN Port, 2*USB 3.0, 2*USB 2.0 , 1*9 WIRES RS-232 and 2*3 WIRES RS232, 2*RS-485, 1*HDMI, 1*LINE_OUT, 1*MIC_IN and 1*PSON, System FAN