

# WPPC-070W2-C

7 inch Industrial PC with Intel J4125 processor

## Features

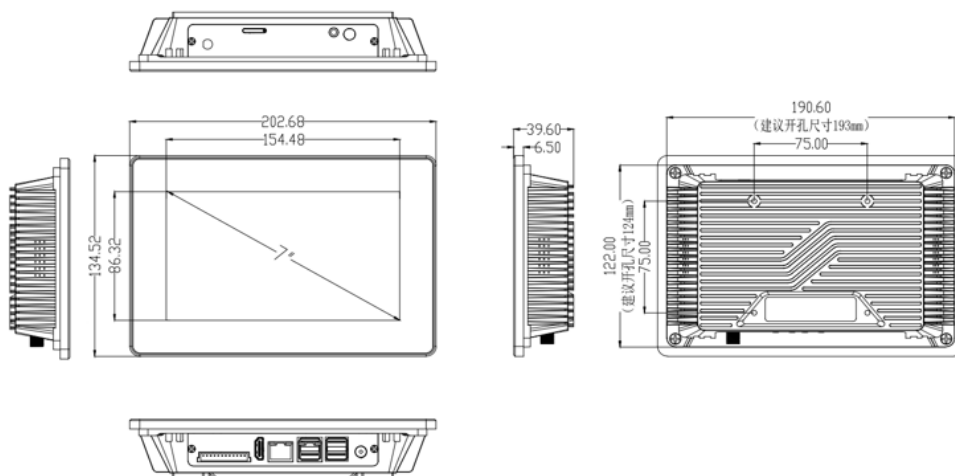
- 7-inch Intel J4125 Industrial PC
- Pure flat and narrow bezel design
- Fanless aluminum alloy heat dissipation
- Capacitive touch, Resistive Touch and Non-touch are optional
- Multi installation method optional
- Only front panel IP65 Waterproof
- With CE, RoHS, FCC and CCC certificates.



## Specifications

|                         |   |  |
|-------------------------|---|--|
| Display Parameter       | Size  | 7inch  |
|                         | Display Area(mm)  | 154.48x86.32   |
|                         | Resolution  | 1024x600 ( 16:9 )  |
|                         | Color   | 16.7M  |
|                         | Brightness  | 300cd/m2   |
|                         | Backlight   | LED  |
|                         | Life  | 50000hrs   |
|                         | Touch Method  | PCAP Projected 10 points capacitive touch                        |
| Computer Parater        | CPU   | Intel® Celeron® Processor J4125, Quad cores 2.0G, up to 2.70 GHz |
|                         | Cache   | 4M   |
|                         | Memory  | Optional DDR4/LPDDR4 up to 2400 MT/s ( Support max 8G )          |
|                         | Storage   | 32G/128G/256G/512G/1T msata SSD are optional                     |
|                         | Operating System  | Only support WIN10/WIN11/LINUX                                   |
|                         | Expansion Card Slot   | 1*PCIE 1X, 1*PCIE 4X ( M.2 SSD) and 1*MSATA                      |
|                         | Power Supply  | DC12V 5A / AC110V-240V,50-60 Hz                                  |
|                         | Power Consumption   | 4.8W (Max 18W)   |
|                         | Dimension (mm)  | 202.68x134.52x39.6   |
|                         | Cutout Size(mm)   | 190.60x122.00  |
| Appearance Feature      | Enclosure Material  | Aluminum Alloy   |
|                         | Heat Dissipation Method   | Fanless Heat Dissipation   |
|                         | Waterproof Level  | Only front panel ip65  |
| Communication Interface | 1* LAN (RJ45), 2*USB 3.0, 2*USB 2.0, 1* 9 WIRES RS-232 and 2* 3 WIRES RS232, 2*RS-485, 1*HDMI, 1*VGA, 1*LINE_OUT, 1*MIC_IN and 1*PSON         |  |
|                         | 4*Digital Input and 4*Digital Output, 4G and WiFi are Optional<br>watchdog programming, Support hardware reset function (256 levels · 0~255s) |  |
| Working Envoriment      | Working Temp.   | -20°C -60 °C   |
|                         | Working Humidity  | 5%RH -95%RH  |

## Dimension



## Ordering Information

| Model name   | Description  |
|--------------|--|
| WPPC-070W2-C | 7-inch Industrial PC With Intel J4125 , 1*LAN Port, 2*USB 3.0, 2*USB 2.0 , 3*RS232, 2*RS-485 Ports |