

WPPC-070W1-C-RK-3568

7 inch Capacitive Touch Panel PC with RK3568 processor

Features

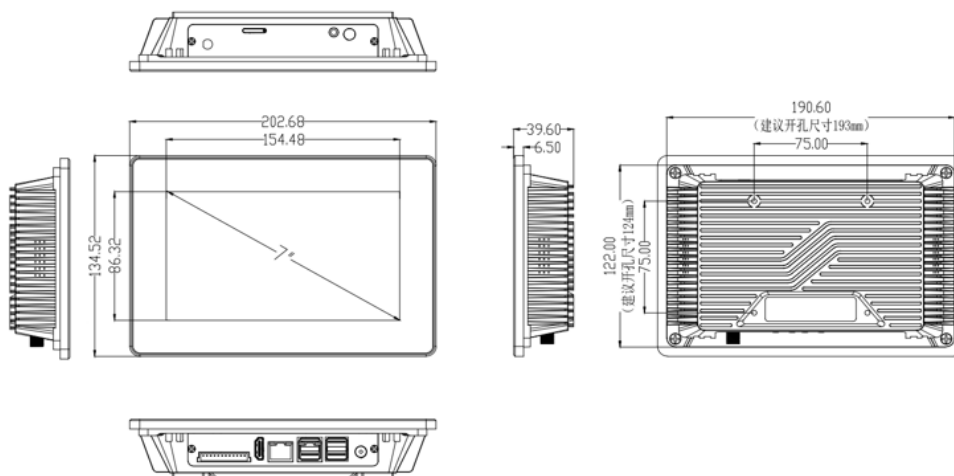
- 7-inch RK3568, Quad-Core ARM Cortex-A55 Capacitive Touch Panel PC
- Pure flat and narrow bezel design
- Fanless aluminum alloy heat dissipation
- Capacitive touchFront panel IP65 Waterproof
- Compatible CE, RoHS, FCC and CCC certificates.



Specifications

Display Parameter	Size	7 inch
	Display Area(mm)	154.48x86.32
	Resolution	1024x600 (16:9)
	Color	16.7M
	Brightness	300cd/m2
	Backlight	LED
	Life	50000hrs
Computer Parater	Touch Method	PCAP Projected 10 points capacitive touch
	CPU	RK3568, Quad-Core ARM Cortex-A55 , up to 2.0GHz
	Memory	2G RAM (4G RAM Optional)
	Storage	16G eMMC (32G eMMC Optional)
	SD Card	Support max 128G
	Operating System	Ubuntu 18.04 or Android 11.0
	Power Supply	DC12V 3A / AC110V-240V,50-60 Hz
	Power Consumption	5W
	Dimension (mm)	202.68x134.52x39.6
	Cutout Size(mm)	193.0x124.0
Appearance Feaure	Enclosure Material	Aluminum Alloy
	Heat Dissipation Method	Fanless Heat Dissipation
	Waterproof Level	Only front panel IP65
Communication Interface	2* LAN (Realtek 8111H), 2*USB 3.0, 2*USB 2.0, 2* 3 Wires RS232, 2*RS-485, 1*HDMI, 1*LINE_Out, and 1*PSON	
	Optional: 4*Digital Input and 4*Digital Output, 4G and WiFi watchdog programming, Support hardware reset function (256 levels * 0~255s)	
Working Envoriment	Working Temp.	-20°C -60 °C
	Working Humidity	5%RH -95%RH

Dimension



UNIT: mm

Ordering Information

Model name	Description
WPPC-070W1-C-RK3568	7-inch Capacitive Touch Panel PC With RK3568 , 2*LAN Port, 2*USB 3.0, 2*USB 2.0 ,2*RS232 2*RS-485 Ports